

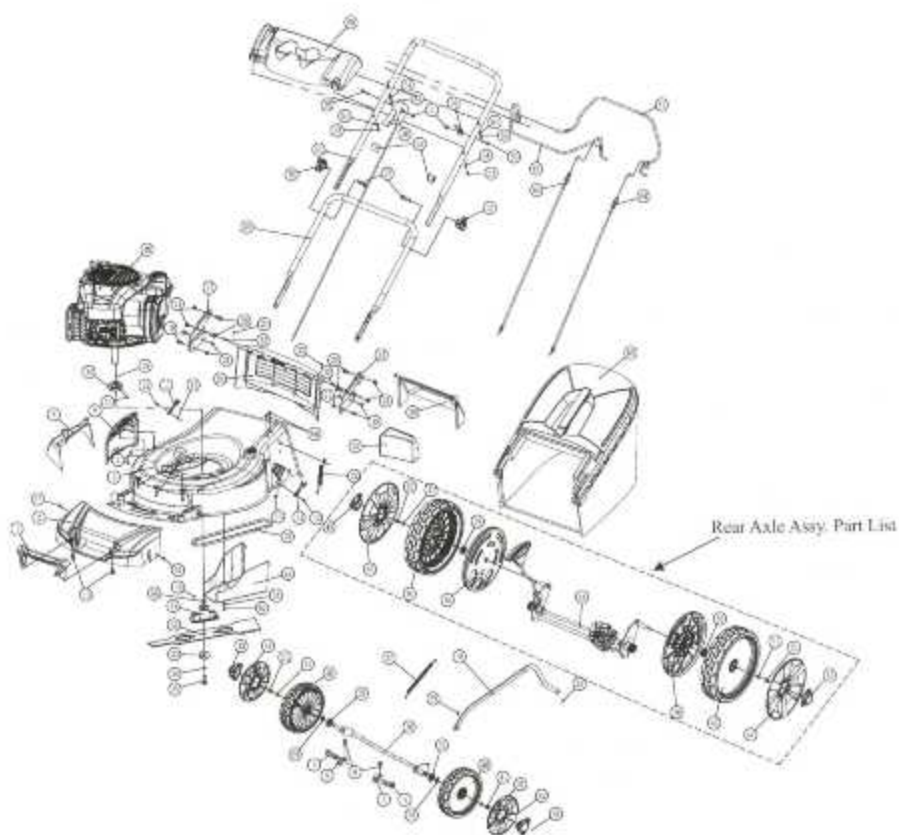
MOWER

INSTRUCTION BOOK



Note: Please read the following instructions before use. This book contain important information on SAFETY, ASSEMBLY, OPERATION AND MAINTENANCE.
Please put the manual and the engine book let aside for your future reference!
They illustrate important information about your mower!

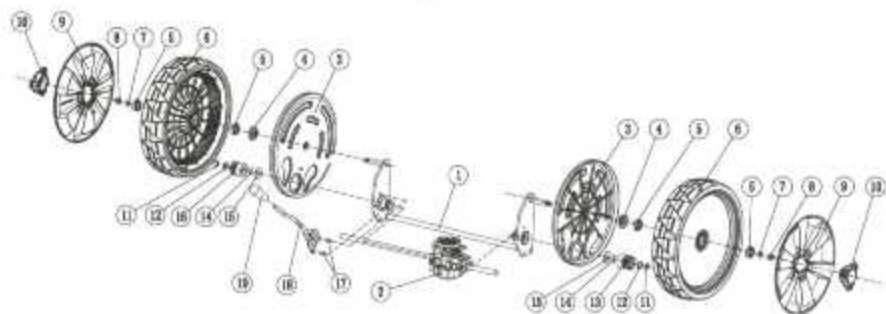
**HK 2170 LAWNMOWER
PUSH & SELF TYPE**



21in Self Propelled Model Part List

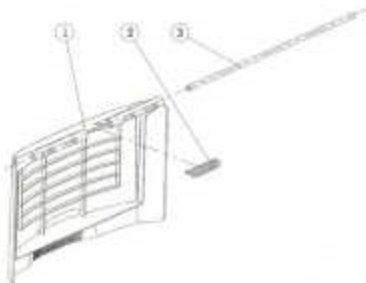
Item No.	Description	Qty/unit	Item No.	Description	Qty/unit
1	Lifting handle, Panel	1	36	Front Axle Assy	1
2	Front decoration Panel	1	37	Spring, Front Axle	2
3	4in deck-21"	1	38	Connecting Rod Assy	1
4	Fixed Bracket, Upper	2	39	Dust Cover	4
5	Fixed Bracket, Bottom	2	40	Wheel, Front	2
6	Screw, cross-Pan Head M6x60	4	41	Plate Washer	4
7	Lock nut of nylon, M6	8	42	Wheel Cap, Front	2
8	Deflector, Chute, Side Discharge	1	43	Cap, Hub	4
9	Cover, Mulch	1	44	Rear Axle Assy, Self Propelled	1
10	Hex Flange Lock Bolt M8x10	2	45	Shield, Wheel	1
11	Press Plate, Rear Axle	2	46	Rear Wheel Assy	2
12	Hex Flange Lock Bolt M8x12	3	47	Wheel Cap, Rear	2
13	Lock nut of nylon, M5	3	48	Engine	1
14	Pulley, Belt	1	49	Bottom Handle	1
15	Hexagon socket set screws with flat point, M6x15	1	50	Knob	2
16	Half - Circle Key	2	51	Upper Handle	1
17	Bracket, Right Handle	1	52	Cable Fastener	2
18	Bracket, Left Handle	1	53	Screw, cross-Pan Head 5/16x15	4
19	Hex Bolt, M8x20	4	54	Plate Washer	5
20	Short Square Neck Bolt M8x20	4	55	Screw, cross-Pan Head M6x45	1
21	Lock nut of nylon, M8	8	56	Throttle Cable Assy	1
22	Transparent Pipe, Flaps Axle	2	57	Long Square Neck Bolt	2
23	Pin	4	58	Bracket, Cable	1
24	Flap Assy, II	1	59	Screw, cross-Pan Head M6x30	1
25	Mulch Plug	1	60	Cap Holder	1
26	Deflector, Chute, Rear Discharge	1	61	Brake Lever	1
27	Spring, Gear Box	1	62	Brake Cable Assy	1
28	Belt, O Shape	1	63	Clutch Lever Assy	1
29	Cover, Belt	1	64	Clutch Cable Assy	1
30	ST4x12	3	65	Catcher Assy	1
31	Adaptor	1	66	Lithium-Ion Battery	1
32	Blade	1	67	Push Button Starter Assy	1
33	Dish-Like Washer	1	68	Sheet	2
34	Plate Washer	1	69	Spacer	1
35	Bolt, Shaft	1			

Rear Axle Assy. Part List



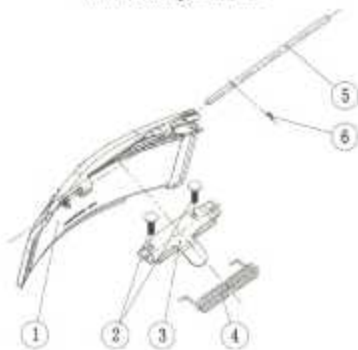
Item No.	Description	Qty/unit
1	Rear Axle	1
2	Gear Box, GT	1
3	Shield, Wheel	2
4	Dust Cover	2
5	6001 Bearing	4
6	Rear Wheel Assy	2
7	Plate Washer	2
8	Lock nut of nylon, M8	2
9	Wheel Cap, Rear	2
10	Cap, Hub	2
11	C Ring	2
12	Adjusting Shim	2
13	Right Gear, Rear Axle	1
14	Pin	2
15	Plate Washer	2
16	Left Gear, Rear Axle	1
17	Rivet	2
18	Height adjustment handle	1
19	Grip band	1

Flap Part List



Item No.	Description	Qty/unit
1	Flap H 21"	1
2	Spring H. Flap	1
3	Axle, Flap 21"	1

Side Discharge Part List



Item No.	Description	Qty/unit
1	Deflector, Chute, Side Discharge	1
2	Square Neck Bolt, W6x16	2
3	Bracket, Deflector	1
4	Spring, Side Discharge	1
5	Axle, Side Discharge	1
6	C Ring	1